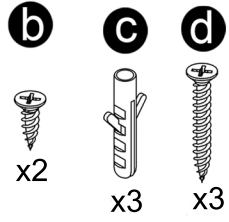
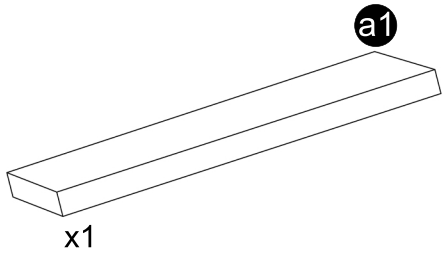
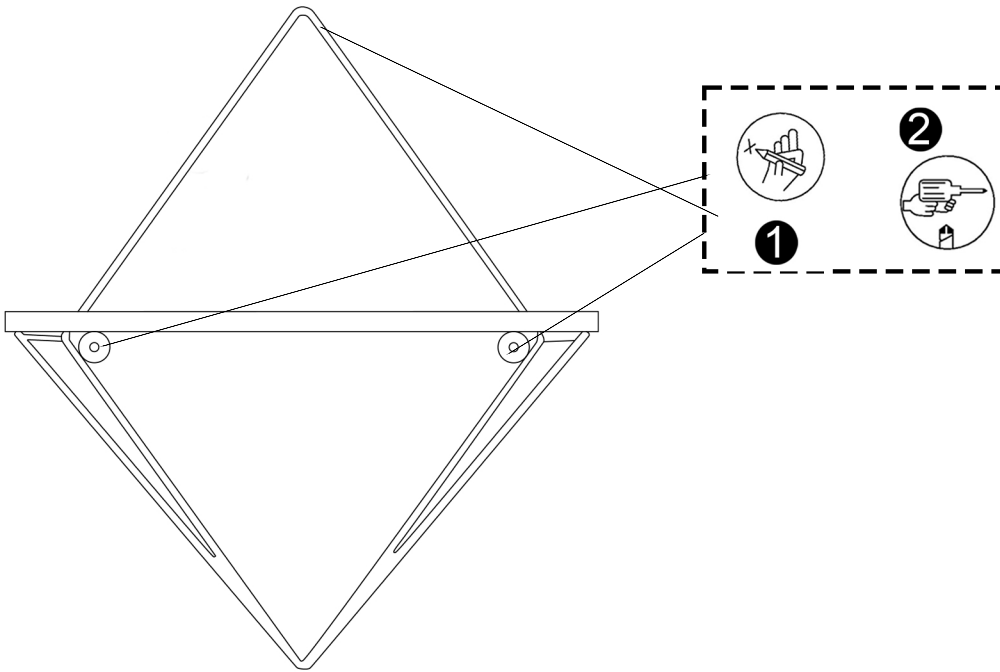


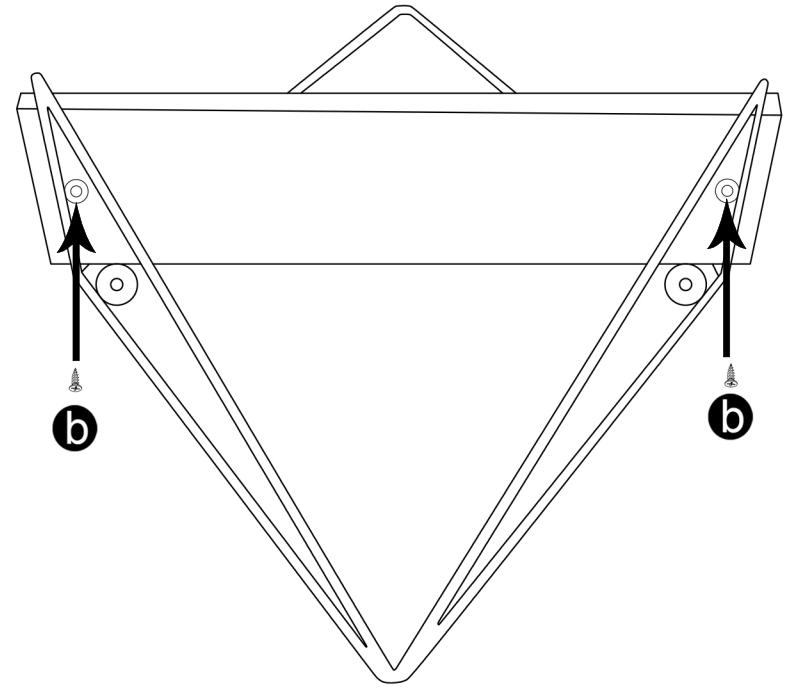
# ACCESSORIES LIST



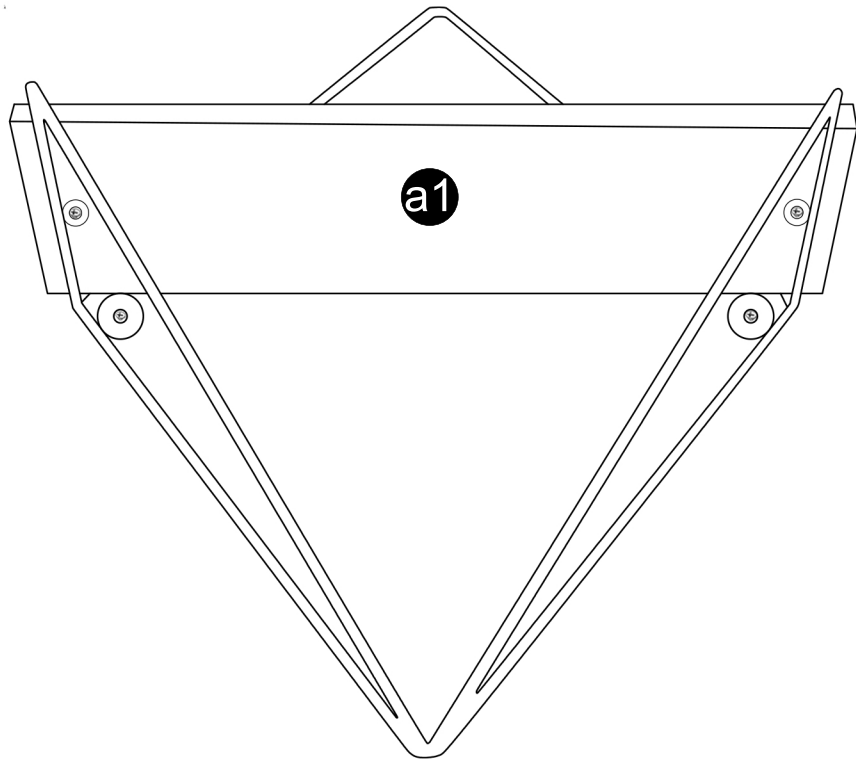
**1** Mark the hole locations by aligning the wire rack to the wall.



**2** Drill the areas you marked.

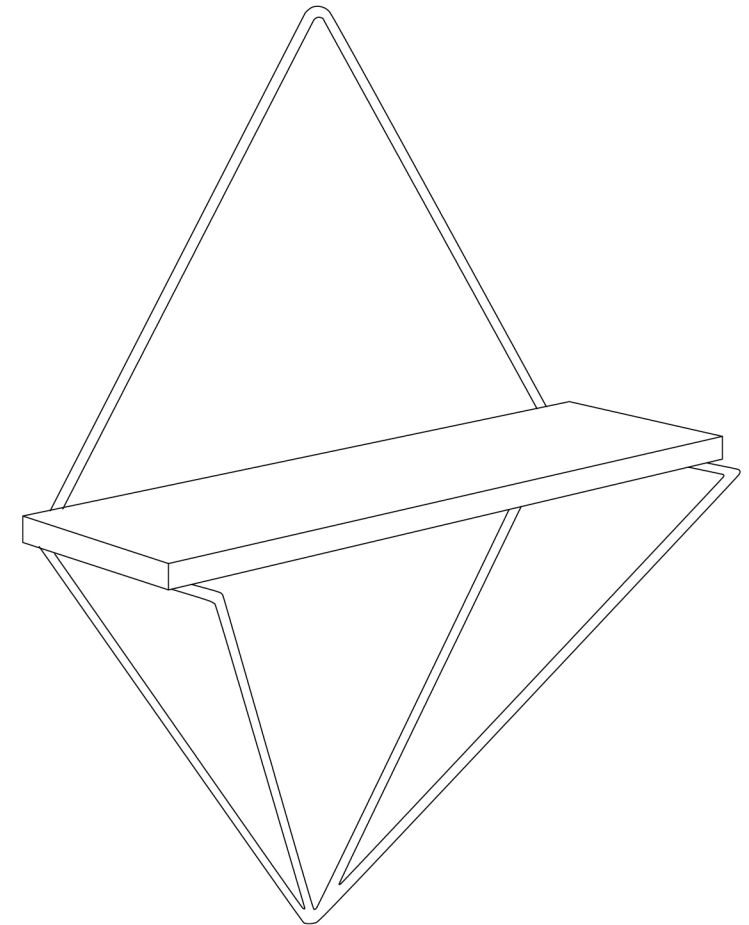


Screw the wooden shelves into the screw slots on the wire.



## DECORATIVE WALL SHELF

Assembly Guide



Hang the rack you prepared into the wall dowels by screwing.